

## ***DC to DC Converter***

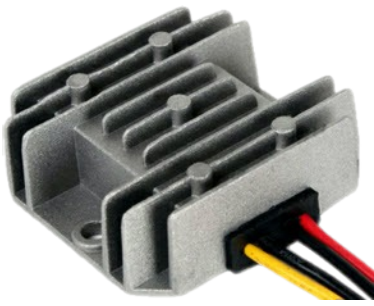
***This versatile DC to DC converter is ideal for battery powered applications when you need 24 VDC for your equipment.***

- ***Input: 11 to 15 vdc***
- ***Output: 24 vdc, 3 amps***
- ***Temperature Range: -10 to 45 C***
- ***Protection: Overload, over-current, over and under voltage***
- ***Efficiency: >90%***
- ***Epoxy sealed enclosure***
- ***Size: 2.6 x 2.3 x 0.9 inches***
- ***Weight: 5 oz. (approx.)***

***Part Number: PSDC1224-72***

***Phoenix Sales, Inc.***

336 McKee St.  
Batavia, IL 60510  
Ph: (630) 879-8412  
Fx: (516) 706-2513



# Other Versions



### PSDC12245-25

- 12/24 to 5 VDC
- 5 Amp, 25 Watt Output
- Size: 2.9 x 2.8 x 1.1

### PSDC2412-60

- 24 to 12 VDC
- 5 Amp output, 60 Watt Output
- Size: 2.6 x 2.3 x 0.9

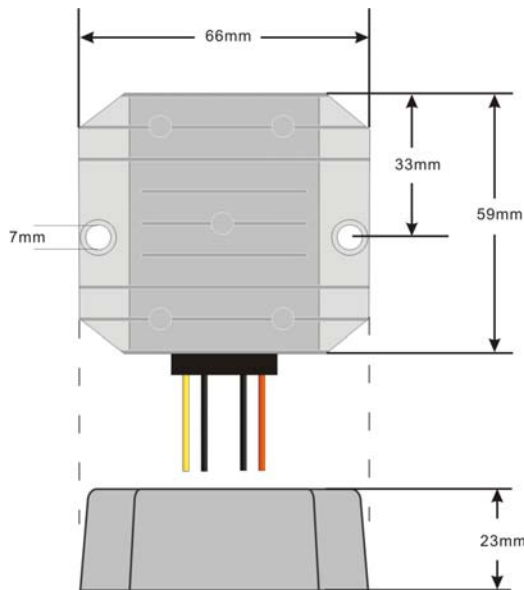
### PSDC8-40/12-72

- 8-40 vdc input, 12 VDC output
- 6 Amp, 72 Watt Output
- Size: 3.1 x 2.8 x 1.1

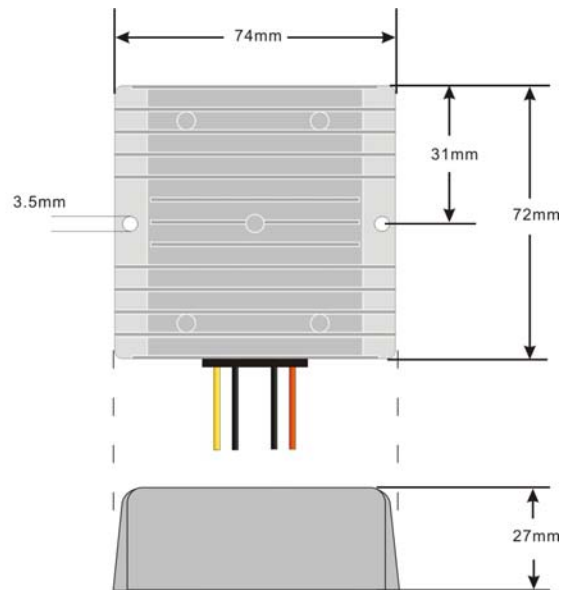
### Common Specifications

- Full-load Efficiency: >90 %
- Ripple p-p: 1 % of Output Voltage
- Load Regulation: 1.5 %
- No-load Power Consumption: 0.5 % of Rated Power
- Over-load Protection: +10 % of Rated Output Current
- Non-isolated
- Operating Temperature: -10 to 45 C

### Dimensions:



Small Case



Big Case



336 McKee St.  
 Batavia, IL 60510  
 Ph: (630) 879-8412